

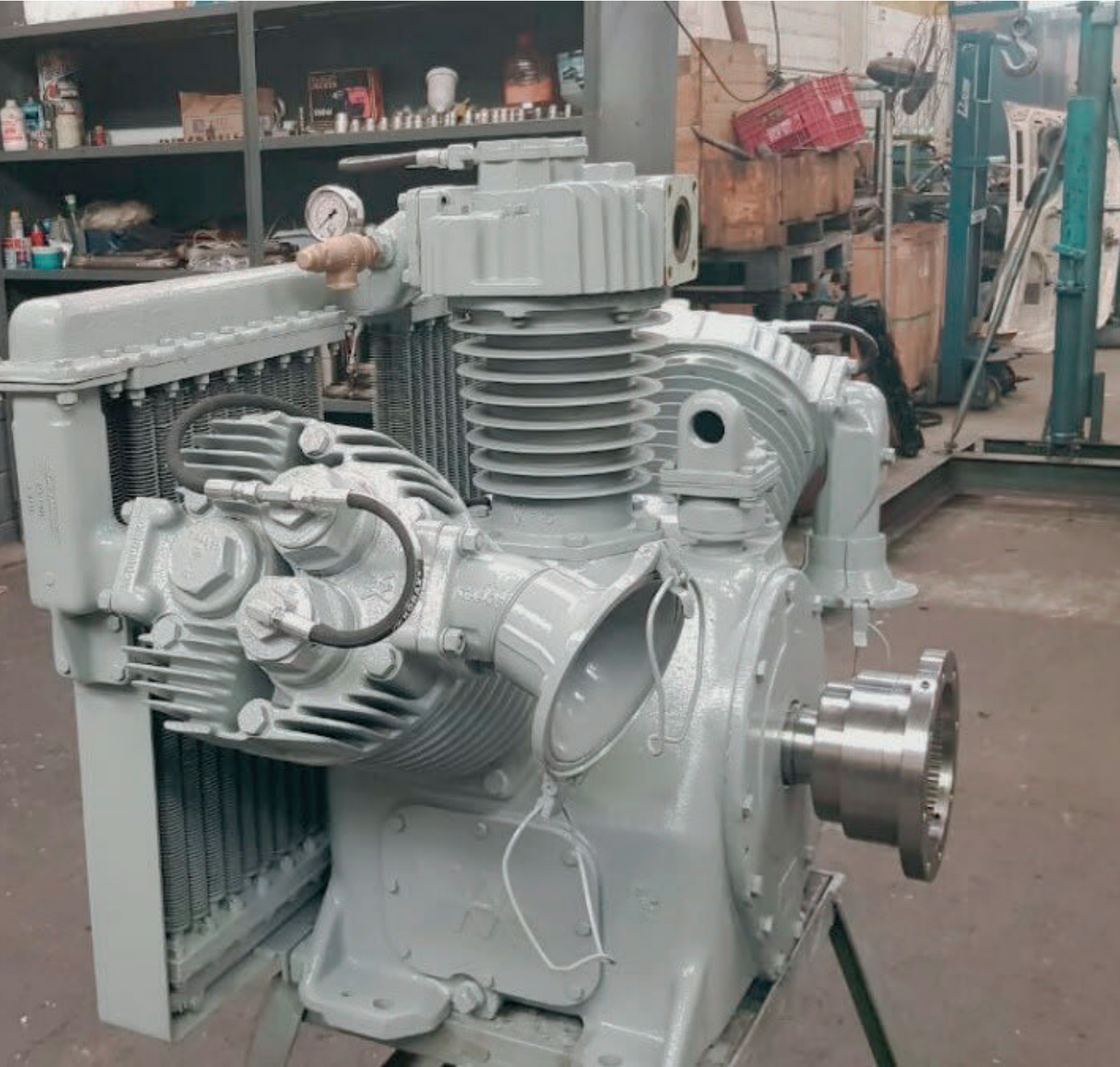


# Bence Locomotives

(Unit of Bence Auto Industries)

"Every Steps in Rail & Locomotive Parts"

Manufacturer & Exporter Of Rail Air Compressor Parts.  
(Equivalent to WABCO)



[www.railaircompressorparts.com](http://www.railaircompressorparts.com)

[bencelocomotives@gmail.com](mailto:bencelocomotives@gmail.com)

[www.railaircompressorparts.com](http://www.railaircompressorparts.com)

[bencelocomotives@gmail.com](mailto:bencelocomotives@gmail.com)



# Bence Locomotives

(Unit of Bence Auto Industries)

"Every Steps in Rail & Locomotive Parts"

## Bence Products



**Crankshaft**

**LP Piston Rings**

**Low Pressure Piston**

**Low Pressure Cylinder**

**Connecting Rod**

**HP Piston Rings**

**High Pressure Piston**

**High Pressure Cylinder**



# Bence Locomotives

(Unit of Bence Auto Industries)

"Every Steps in Rail & Locomotive Parts"

## As Per WABCO Air Compressor Part List. (Model 3CDC/6CDC)

Sr. No.	Description	Part No.	Material
1	Connecting Rod Assembly (cap, bush, nut bolt, cotter pin & insert bearings set)	580080	Spheroidal Graphite Iron
2	Connecting Rod & Cap	580081	Spheroidal Graphite Iron
3	Low Pressure Piston	593274	Aluminium Grade LM13
4	High Pressure Piston	580387	Cast Iron
5	Low Pressure Cylinder	653982	Cast Iron
6	High Pressure Cylinder	579041	Cast Iron

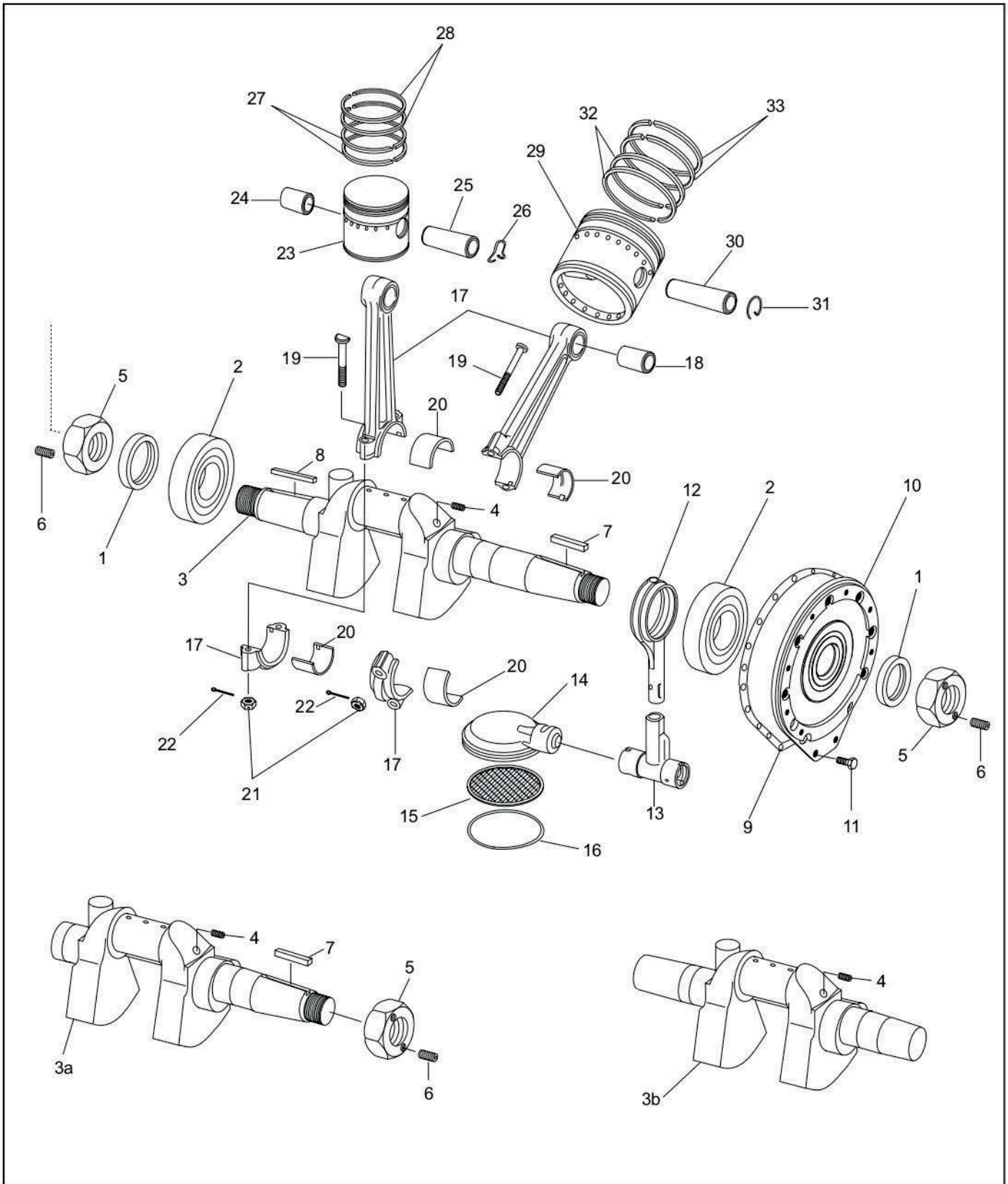


# Bence Locomotives

(Unit of Bence Auto Industries)

"Every Steps in Rail & Locomotive Parts"

## Air Compressor Parts Assembly





# Bence Locomotives

(Unit of Bence Auto Industries)

"Every Steps in Rail & Locomotive Parts"

## Assembly Part List

Figure & Ref. No.	Customer Part No.	Wabtec Part No.	Description	Qty.
3 -		◆	<b>3-CDC AIR COMPRESSOR ASSEMBLY</b> (Includes All Reference Numbers in Figures 1 thru 9)	Ref.
3 - 1		680008	<b>.OIL SEAL</b>	2
3 - 2		141563	<b>.BALL BEARING</b>	2
3 - 3		574524	<b>.CRANKSHAFT</b> (Used on Compressor 583012)	1
3 - 3a		574516	<b>.CRANKSHAFT</b> (Used on Compressor 582797)	1
3 - 3b		574535	<b>.CRANKSHAFT</b> (Used on Compressor 581661)	1
3 - 4		523178	<b>.PLUG</b> , Pipe, 1/4" NPT Hex Socket	1
3 - 5		519763	<b>.LOCKNUT</b> , Crankshaft	1
3 - 6		530493	<b>.SCREW</b> , 1/2 x 1 1/4" Set	2
3 - 7		525238	<b>.KEY</b> , 7/8 x 7/8 x 2 1/2"	1
3 - 8		525240	<b>.KEY</b> , 7/8 x 7/8 x 3 1/2"	1
3 - 9		514593	<b>.GASKET</b> , Main Bearing Housing	1
3 - 10		514592	<b>.MAIN BEARING HOUSING</b>	1
3 - 11		584543	<b>.SCREW</b> , 1/2-13 x 1 1/2" Hex	11
3 - 12		540285	<b>.OIL PUMP PLUNGER</b>	1
3 - 13		-	<b>.OIL PUMP CARTRIDGE and BODY</b> (See Figure 9)	1
3 -		540295	<b>.OIL STRAINER ASSEMBLY</b> (Includes Ref. Nos. 14 to 16)	1
3 - 14		540287	<b>..OIL STRAINER BODY</b>	1
3 - 15		517747	<b>..SCREEN</b> , Oil Strainer	1
3 - 16		517744	<b>..RETAINING RING</b>	1
3 -		580080	<b>.CONNECTING ROD COMPLETE</b> (Includes Ref. Nos. 17 to 22)	3
3 - 17		580081	<b>..CONNECTING ROD &amp; CAP</b>	3
3 - 18		578245	<b>..BUSH</b> , Wrist Pin	3
3 - 19		514617	<b>..BOLT</b> , 5/8 x 4 9/16" Connecting Rod	6
3 - 20		540589	<b>..INSERT BEARINGS</b> , Set	3
3 - 21		68770	<b>..NUT</b> , 5/8" Castle	6
3 - 22		522772	<b>..COTTER PIN</b>	6
3 -		563239	<b>.HP PISTON with WRIST PIN &amp; BUSHED</b> (Includes Ref. Nos. 23 to 26)	1
3 - 23		580387	<b>..HIGH PRESSURE PISTON</b> , Bushed (Includes Ref. No. 24)	1
3 - 24		580390	<b>...BUSH</b> , High Pressure Piston	2
3 - 25		514623	<b>..WRIST PIN</b>	1
3 - 26		583133	<b>..RETAINING RING</b> , Wrist Pin	2
3 - 27		521195	<b>.OIL RING</b> , High Pressure	2
3 - 28		520125	<b>.COMPRESSION RING</b> , High Pressure	2
3 -		593274	<b>.LOW PRESSURE PISTON with WRIST PIN</b> (Includes Ref. Nos. 29 to 31)	2
3 - 29		550853	<b>..LOW PRESSURE PISTON</b> (Includes Ref. No. 30)	2
3 - 30		543714	<b>...WRIST PIN</b>	2
3 - 31		514624	<b>..RETAINING RING</b> , Wrist Pin	4
3 - 32		520133	<b>.OIL RING</b> , Low Pressure	4
3 - 33		520123	<b>.COMPRESSION RING</b> , Low Pressure	4



# Bence Locomotives

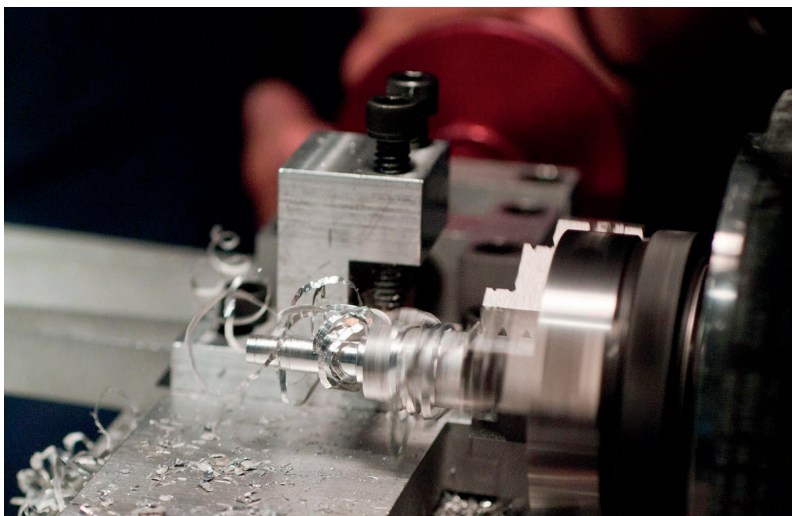
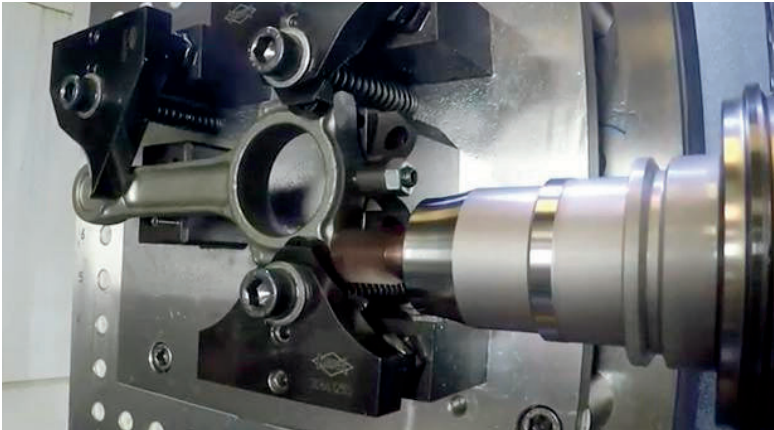
(Unit of Bence Auto Industries)

"Every Steps in Rail & Locomotive Parts"

## Quality Matters

The sole mission of our existence is to provide quality solutions to the railway engines on the cutting edge technology. We aim to maintain self evaluation for the betterment and excellence, and the commitment towards our clients to climb the success ladder.

The corporate culture at Bence Locomotives abides by maintaining consistent quality of our products and services. Ever since our inception the company has meticulously designed every process within the organization to achieve the highest organizational excellence and offer greater customer satisfaction.





# Bence Locomotives

(Unit of Bence Auto Industries)

"Every Steps in Rail & Locomotive Parts"

## Certificate of Registration



This is to certify that

**BENCE LOCOMOTIVES**  
(Unit of Bence Auto Industries)

2<sup>nd</sup> Floor, Office no.12, KK Chambers, Purshotamdasthakurdas Road, Near Siddharth College Fortmumbai, Mumbai City, (M.H.) -400001, India



Has been assessed and found to be in compliance with the requirements of the standards.

**ISO 9001:2015**  
(Quality Management System)

For the following scope:

"MANUFACTURERS & EXPORTERS OF RAIL AIR BRAKE PARTS SUCH AS DISTRIBUIT OF VALVE AND OVERHAULING REPAIR KITS, RELAY VALVE ANGLE END COCK, BRAKE PIPE HOSE COUPLING, LOCOMOTIVE ENGINE SPARES FOR EMD, GE, ALCO AND CATERPILLAR.  
EXPORT OF SERVICES: PROFESSIONAL, CONSULTANT, PREPARATION OF BUSINESS PLANS, FEASIBILITY REPORT, REHABILITATION, TRAINING, REPAIRS & MAINTENANCE OR ANY OTHER TYPE OF SERVICES RELATING TO RAIL & LOCOMOTIVES."

Certificate No. **QM31121872**

Certification Date : 31.12.2023

Issue Date : 01.01.2024

Date of Expiry\* : 31.12.2026

1<sup>st</sup> Surveillance Due : 31.12.2024

2<sup>nd</sup> Surveillance Due : 31.12.2025



Director Signature  
Date: 01.01.2024



\* validity of the certification is subject to successful completion of surveillance audit on or before of due date. (in case surveillance audit is not allowed to be conducted, this certificate shall be suspended / withdrawal)  
1<sup>st</sup> Floor, Jyoti Cineplex, M.P. Nagar Zone-1 Bhopal (M.P.) - 462011.  
Email id - [info@amarratings.com](mailto:info@amarratings.com), Website: [www.amarratings.com](http://www.amarratings.com), Phone No. 0755-4938413

CE CERTIFICATION

## Certificate of Compliance

This is to Certify that the following designated products :

Rail & Locomotive parts such as Distributor Valve, Repair Kit for Distributor Valve, Air Dryer Repair Kit, Air Pressure, Reducing Valve, Relay Valve, Angle Cock (Right & Left), Brake Pipe Hose Coupling, Bearings & Bushes, Compressor Spare Parts such as Connecting Rod, Piston & Piston Rings. Engine spare parts for EMD, GE, ALCO and Caterpillar for Goods & Passengers Rail & Locomotives.

This certificate is issued under the following conditions:

- It applies only to the above referenced set of products mentioned above. The manufacturer is obligated to assure that all products of the respective model conform to the type assessed by this certificate
- The Certificate validity is conditioned by the positive result of the surveillance audits.
- The Certificate remains valid until the manufacturing conditions, the quality systems or relevant legislations are changed but until the 24/04/2026
- After Fulfilling the E.U legislation requirements, the manufacturer shall affix to each product of the above referenced models, CE Marking according to the following example

Manufactured By



**BENCE LOCOMOTIVES**

(Unit of Bence Auto Industries)

2<sup>nd</sup> Floor, Office No 12, K K Chambers, Purshotamdas Thakurdas Road, Near Siddharth College, Fort Mumbai, Mumbai City, Maharashtra, 400001, India

Conforms with the Applicable requirements of Machinery Directive 2006/42/EC

CERTIFICATE No. : 23ZGCI0822C

ISSUED DATE : 25/04/2023  
EXPIRY DATE : 24/04/2026

1ST SURVEILLANCE : 24/04/2024  
2ND SURVEILLANCE : 24/04/2025



Authorised Signatory

INTERNATIONAL QUALITY CERTIFICATION SERVICES UK LTD

272, Bath Street, Glasgow, G2 4JR, UK

This Certificate is Intellectual Property of IQCS and can be maintained through surveillance and renewal audit.

Certificate should be returned to IQCS in case of non-compliance of certification procedure.

Authenticity of this certificate can be verified at [www.ukac.org.uk](http://www.ukac.org.uk) or [www.iqcscert.co.uk](http://www.iqcscert.co.uk)

Better Parts. Better Service.

Bence Locomotives

## Certificate of Registration



This is to certify that

**BENCE LOCOMOTIVES**  
(Unit of Bence Auto Industries)

2<sup>nd</sup> Floor, Office no.12, KK Chambers, Purshotamdasthakurdas Road, Near Siddharth College Fortmumbai, Mumbai City, (M.H.)-581307, India.



Has been assessed and found to be in compliance with the requirements of the standards.

**ISO 45001:2018**  
(Occupational Health & Safety Management System)

For the following scope:

"MANUFACTURERS & EXPORTERS OF RAIL AIR BRAKE PARTS SUCH AS DISTRIBUIT OF VALVE AND OVERHAULING REPAIR KITS, RELAY VALVE ANGLE END COCK, BRAKE PIPE HOSE COUPLING, LOCOMOTIVE ENGINE SPARES FOR EMD, GE, ALCO AND CATERPILLAR.  
EXPORT OF SERVICES: PROFESSIONAL, CONSULTANT, PREPARATION OF BUSINESS PLANS, FEASIBILITY REPORT, REHABILITATION, TRAINING, REPAIRS & MAINTENANCE OR ANY OTHER TYPE OF SERVICES RELATING TO RAIL & LOCOMOTIVES."

Certificate No.: OH31121874

Certification Date : 31.12.2023

Issue Date : 01.01.2024

Date of Expiry\* : 31.12.2026

1<sup>st</sup> Surveillance Due : 31.12.2024

2<sup>nd</sup> Surveillance Due : 31.12.2025



Director Signature  
Date: 01.01.2024



\* validity of the certification is subject to successful completion of surveillance audit on or before of due date. (in case surveillance audit is not allowed to be conducted, this certificate shall be suspended / withdrawal)  
1<sup>st</sup> Floor, Jyoti Cineplex, M.P. Nagar Zone-1 Bhopal (M.P.) - 462011.  
Email id - [info@amarratings.com](mailto:info@amarratings.com), Website: [www.amarratings.com](http://www.amarratings.com), Phone No. 0755-4938413

## Certificate of Registration



This is to certify that

**BENCE LOCOMOTIVES**  
(Unit of Bence Auto Industries)

2<sup>nd</sup> Floor, Office no.12, KK Chambers, Purshotamdasthakurdas Road, Near Siddharth College Fortmumbai, Mumbai City, (M.H.)-400001, India



Has been assessed and found to be in compliance with the requirements of the standards.

**ISO 14001:2015**  
(Environmental Management System)

For the following scope:

"MANUFACTURERS & EXPORTERS OF RAIL AIR BRAKE PARTS SUCH AS DISTRIBUIT OF VALVE AND OVERHAULING REPAIR KITS, RELAY VALVE ANGLE END COCK, BRAKE PIPE HOSE COUPLING, LOCOMOTIVE ENGINE SPARES FOR EMD, GE, ALCO AND CATERPILLAR.  
EXPORT OF SERVICES: PROFESSIONAL, CONSULTANT, PREPARATION OF BUSINESS PLANS, FEASIBILITY REPORT, REHABILITATION, TRAINING, REPAIRS & MAINTENANCE OR ANY OTHER TYPE OF SERVICES RELATING TO RAIL & LOCOMOTIVES."

Certificate No. **EM31121873**

Certification Date : 31.12.2023

Issue Date : 01.01.2024

Date of Expiry\* : 31.12.2026

1<sup>st</sup> Surveillance Due : 31.12.2024

2<sup>nd</sup> Surveillance Due : 31.12.2025



Director Signature  
Date: 01.01.2024



\* validity of the certification is subject to successful completion of surveillance audit on or before of due date. (in case surveillance audit is not allowed to be conducted, this certificate shall be suspended / withdrawal)  
1<sup>st</sup> Floor, Jyoti Cineplex, M.P. Nagar Zone-1 Bhopal (M.P.) - 462011.  
Email id - [info@amarratings.com](mailto:info@amarratings.com), Website: [www.amarratings.com](http://www.amarratings.com), Phone No. 0755-4938413



# Celebrating 25 Years Of Expertise



For more information click our website

[www.railaircompressorparts.com](http://www.railaircompressorparts.com)

### Other Websites:

[www.railairbrakeparts.com](http://www.railairbrakeparts.com)

[www.raillocodistributorvalves.com](http://www.raillocodistributorvalves.com)

[www.raildistributorvalvesrepairkit.com](http://www.raildistributorvalvesrepairkit.com)

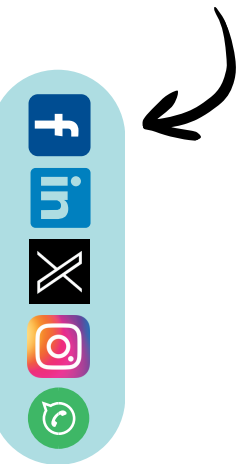
### Email:

[bencelocomotives@gmail.com](mailto:bencelocomotives@gmail.com)

[raillocodistributorvalve@gmail.com](mailto:raillocodistributorvalve@gmail.com)

[raillocodistributorvalverepairkit@gmail.com](mailto:raillocodistributorvalverepairkit@gmail.com)

Follow us on:



### Ready to assist you

Pan India No. +91 9920013655

Mr. Peter Carlo



(Director Operations)

+91 9819664898

Ms. Bhavana Kamble



(Customer Service Executive)

+91 9324263974

Mr. Shaz Khan



(Locomotive Engineer)

+91 8850856300



01/06/2024

2nd Floor, Office NO. 12, KK Chambers,  
Purshomtandas Thakurdas Road, Near  
Siddharth college, Fort Mumbai, 400001 India

We, Bence Locomotives confirm that we are not affiliated with WABCO (OEM) regarding exhibited/ mentioned products on our webpage, catalogue, and/or brochures, manufacturers' names, numbers, specifications and descriptions are used for reference only. It is not implied that any part listed is the product of these manufacturers.